

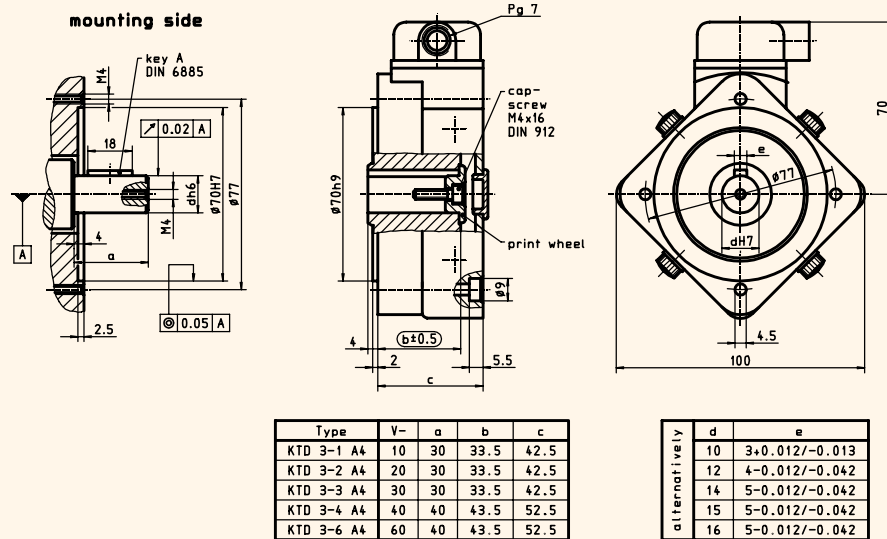
DC tachogenerator

KTD 3-... A 4, KTD 3-... A 4 Y36



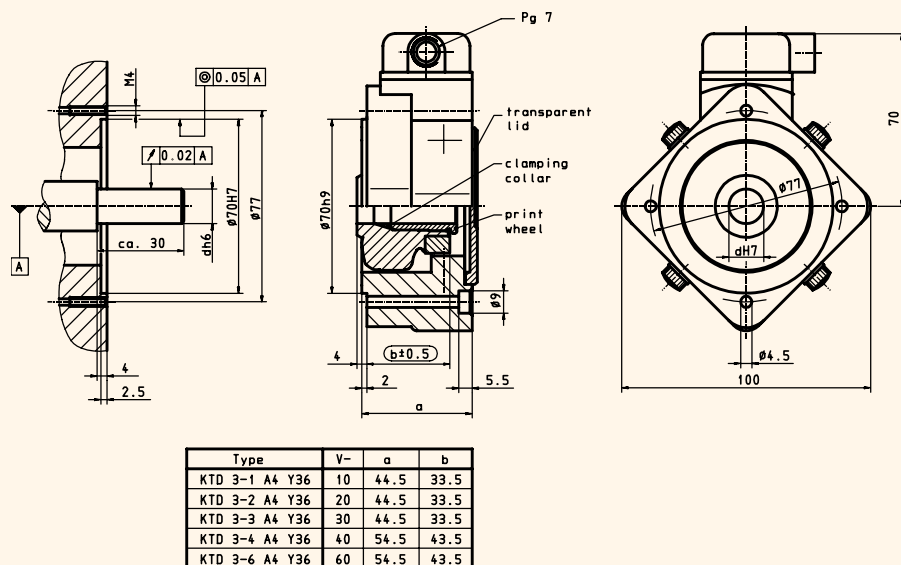
Qualities:

- High reaction rate
- Large speed range
- Recognition of rotation direction
- Small percent ripple
- No power supply



KTD 3-... A 4

drawing-no.: 014 - 5



KTD 3-... A 4 Y36

drawing-no.: 014 - 5 Y36

DC tachogenerator

KTD 3-... A 4, KTD 3-... A 4 Y36



Mechanical data:

Housing		light-alloy metal, unpainted
Design style		A4
Protective class		IP 54 <i>according to DIN 40 050, IEC 529</i>
Bore diameter	KTD 3-... A 4 d	14 mm, 15 mm (standard) (10 - 16 mm possible)
	KTD 3-... A 4 Y36d	14 mm (standard) (10 - 16 mm possible)
Mass moment of inertia	J	KTD 3-1 to KTD 3-3: 600 gcm ² KTD 3-4 to KTD 3-6: 910 gcm ²

Electrical data:

referenced to 1000 rpm

Type	Rated voltage [V]	Rated current [mA]	max. current [mA]	Upper speed limit [rpm]	Armature resistance [Ohm]	Weight A 4	
						rotor g	housing g
KTD 3-1 ...	10	10	100	6000	45	250	440
KTD 3-2 ...	20	10	80	6000	170	250	440
KTD 3-3 ...	30	10	80	6000	170	250	440
KTD 3-4 ...	40	10	80	4000	220	360	570
KTD 3-6 ...	60	30	80	3000	200	360	570

Polarity		dependent on rotation direction
Number of pole pair		2 = 4-poles
Number of grooves, segments	29	
Grooves frequency		$f_N = \frac{29}{30} * n$
Reversing error		$\leq \pm 0,1 \%$
Residual ripple		$\leq 0,4 \%$
Linearity error		$\leq 0,15 \%$
Regulation range lower limit	n_R	0 rpm
Temperature drift (- 10 °C to + 100 °C)		$\pm 0,1 \%$ / 10 K

Type of connection	terminal box, 2-poles
Isolation class	B
Carbon brushes	4 pieces AG 3 x 4 x 12
Carbon brushes life	approx. 20.000 hours of operation
Maintenance	after 10.000 hours in service

Options:

• Without terminal box	cable - version
• Punching circle	Ø 80 mm
• Version like SKTD 3-... A 4	(LDW - dimensions, drawing-no.: 014 - 6)
• with centrifugal switch	
• Rotor attachment <i>KSE</i>	cone clamping collar
• Silver track in the collector	
• Enhanced protective class	