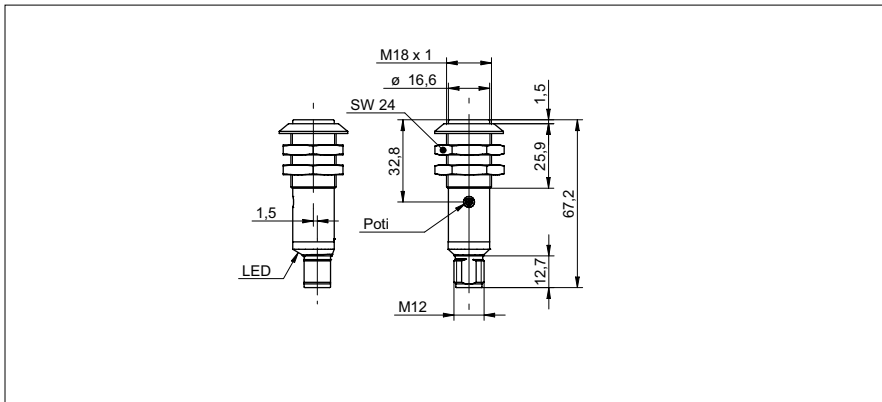


Retro-reflective sensors

OR18.RR

sample drawing



general data

| | |
|-------------------------------------|-------------------------|
| type | retro-reflective sensor |
| light source | pulsed red LED |
| actual range Sb | 3,5 m |
| nominal range Sn | 4,5 m |
| polarization filter | yes |
| alignment / soiled lens indicator | LED green |
| output indicator | LED yellow |
| wave length | 660 nm |
| suppression of reciprocal influence | yes |

electrical data

| | |
|------------------------------------|----------------------|
| response time / release time | < 1 ms |
| voltage supply range +Vs | 12 ... 30 VDC |
| current consumption max. (no load) | 40 mA |
| current consumption typ. | 30 mA |
| voltage drop Vd | < 2 VDC |
| output function | light / dark operate |
| output current | < 100 mA |
| short circuit protection | yes |
| reverse polarity protection | yes |

mechanical data

| | |
|------------------|-----------------------|
| width / diameter | 18 mm |
| type | cylindrical threaded |
| housing material | plastic (ABSTERLURAN) |
| front (optics) | PMMA |

ambient conditions

| | |
|-----------------------|----------------|
| operating temperature | -25 ... +55 °C |
| protection class | IP 67 |

sample picture



Retro-reflective sensors**OR18.RR**

| order reference | connection types | height / length | output circuit | sensitivity adjustment |
|-------------------------|---------------------------------------|------------------------|-----------------------|-------------------------------|
| OR18.RR-11157781 | connector M12 4 pin | 67,2 mm | NPN | potentiometer, 270° |
| OR18.RR-11157782 | cable 4 pin, 2 m | 44,8 mm | NPN | no |
| OR18.RR-11157783 | flylead connector M12 4 pin, L=100 mm | 44,8 mm | NPN | no |
| OR18.RR-11157680 | connector M12 4 pin | 67,2 mm | PNP | potentiometer, 270° |
| OR18.RR-11157768 | cable 4 pin, 2 m | 44,8 mm | PNP | no |
| OR18.RR-11157780 | flylead connector M12 4 pin, L=100 mm | 44,8 mm | PNP | no |