

FA-SOLVER®

BUILT-IN RESOLVERS



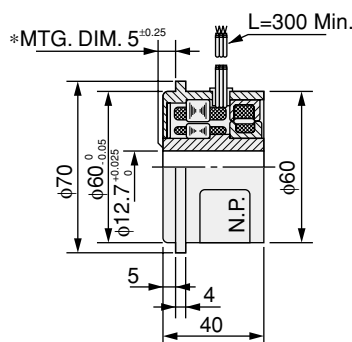
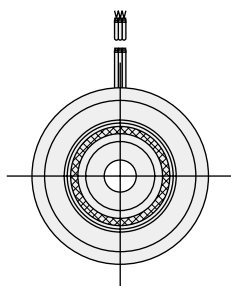
Products on this page are within FA-SOLVER® series.

SIZE	25	30	35	43	47	
Model No.	TS2013N211E57	TS2142N1E63	TS2158N21E63	TS2028N41E48	TS2054N91E51	
Type	BRX	←	←	←	←	
Primary	R1-R2	←	←	←	←	
Input Voltage/Frequency	10Vrms 4.5kHz	7Vrms 5kHz	10Vrms 5kHz	10Vrms 4.5kHz	6Vrms 10kHz	
Transformation Ratio	0.5 ± 10%	0.5 ± 10%	0.5 ± 10%	0.5 ± 10%	0.28 ± 10%	
Electrical Error	± 10' Max.	± 10' Max.	± 10' Max.	± 10' Max.	± 10' Max.	
Null Voltage	20mVrms Max.	20mVrms Max.	30mVrms Max.	30mVrms Max.	20mVrms Max.	
Phase Shift	-8° Nom.	-10° Nom.	-15° Nom.	-15° Nom.	-40° Nom.	
Impedance	Z _{RO}	250+j377Ω	100+j170Ω	176Ω	200Ω	200+j345Ω
	Z _{SO}	400+j690Ω	—	—	—	—
	Z _{SS}	326+j623Ω	200+j350Ω	250Ω	285Ω	214+j338Ω
Operating Temperature	-55 ~ +155°C	←	←	-30 ~ +100°C	-30 ~ +100°C	
Max. Operating Speed	166.7s ⁻¹	100s ⁻¹	←	←	←	
Mass	0.35kg	0.6kg	0.9kg	1.4kg	1.6kg	
Output Type	Reverse	Normal	Normal	Normal	Normal	

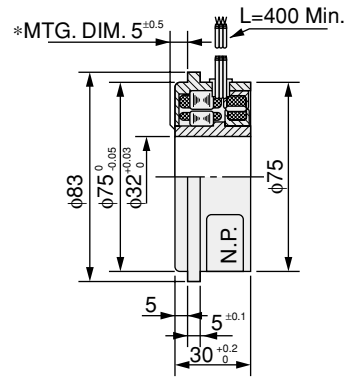
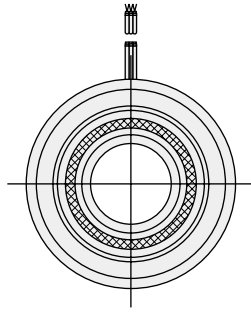
OUTLINE

(DIMENSION : mm)

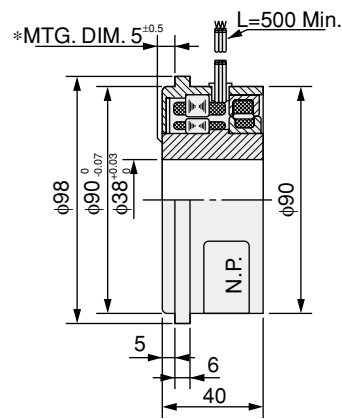
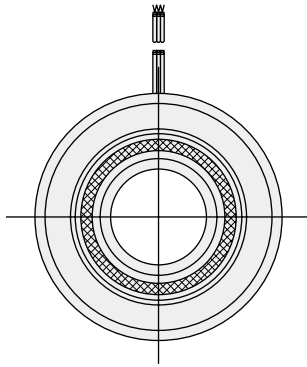
SIZE 25 TS2013N211E57



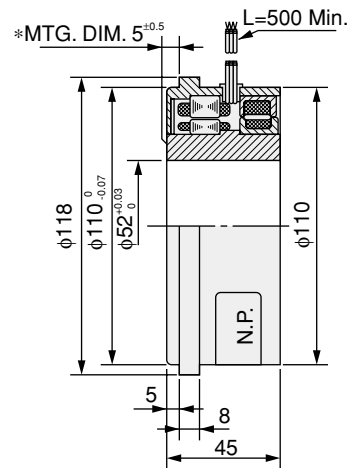
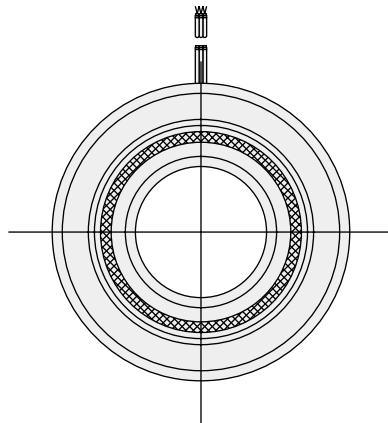
SIZE 30 TS2142N1E63



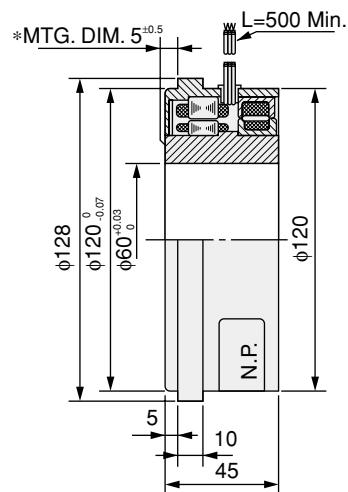
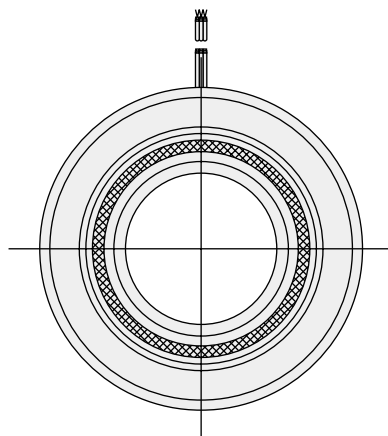
SIZE 35 TS2158N21E63



SIZE 43 TS2028N41E48



SIZE 47 TS2054N91E51



* MTG. DIM (Mounting Dimension)